

CATEGORY	DESCRIPTION	P/N #
CONNECTOR	RJ45 8P8C 全塑1X1	MJ5388-X011-HRN1

REV.	ECN NO	DESCRIPTION	REVISED	DATE
A01	—	New Release	XSY	2015.07.08
A02	—	更改脚柱尺寸	XSY	2017.11.17

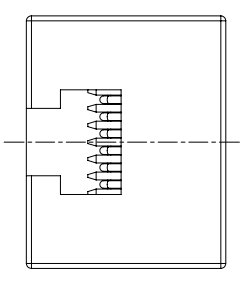
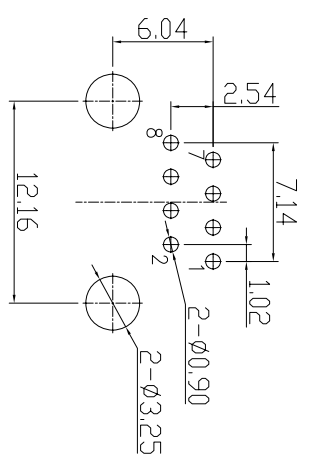
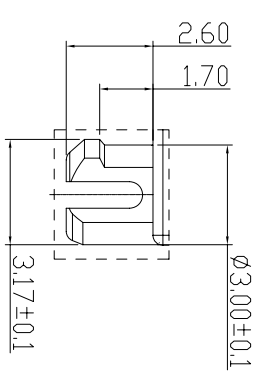
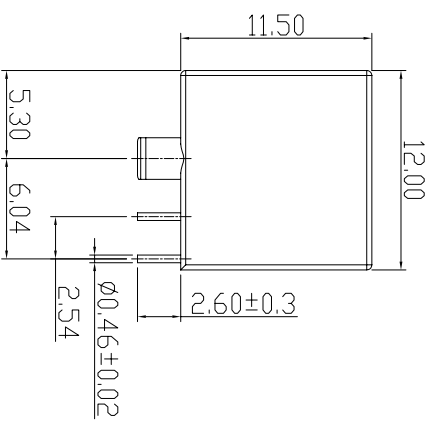
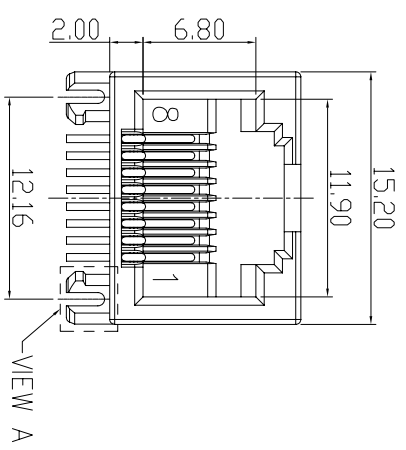


Table 1

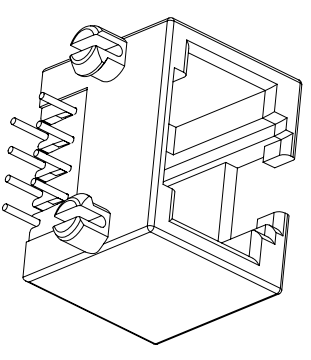
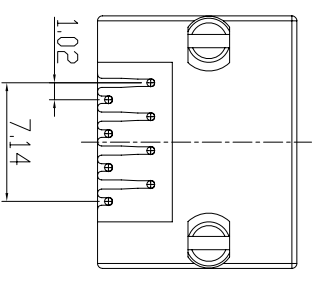
X	Housing Color
B	Black
U	Blue
Y	Yellow
G	Grey

MJ5388-X011-HRN1

- SPECIFICATION
- VOLTAGE RATING: 150 VAC RMS.
  - CURRENT RATING: 1.5 AMP
  - CONTACT RESISTANCE: 40 mΩ MAX
  - INSULATION RESISTANCE: 500MΩ MIN.
  - WITHSTAND VOLTAGE: AC1000V RMS 60s.
  - OPERATING TEMPERATURE: -40°C~+80°C



Recommend PCB Layout  
(Jack Top View)  
Tolerance: ±0.05mm  
Recommend PCB Thickness: 1.6mm



VIEW A  
SCALE 2:1

UNLESS OTHERWISE SPECIFIED TOLERANCES

SCALE: 1/1 UNIT: mm  
SIZE: A3 PAGE: 1 OF 1 REV: A02  
DWG. NO:

**东莞市合陵电子有限公司**  
DongGuan Heling Electronic Co.,LTD

b	TERMINAL	8	PHOSPHOR BRONZE	∅0.46mm	G/F	
d	HOUSING	1	PBT UL94V-0		SEE TABLE 1	
NO.	PART NAME	QTY	MATERIAL		PLATING & COLOR	Remark

DECIMALS:	ANGLES:
X : ±0.5	X : ±2°
XX : ±0.3	XX : ±1°
XXX : ±0.2	

APPROVED BY	CHECKED BY	PREPARED BY
DICK	XSY	XSY
<b>CUSTOMER COPY</b>		